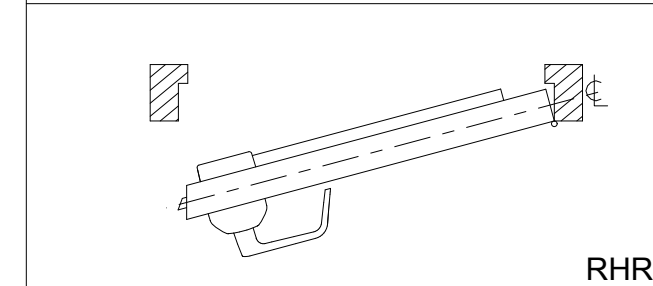
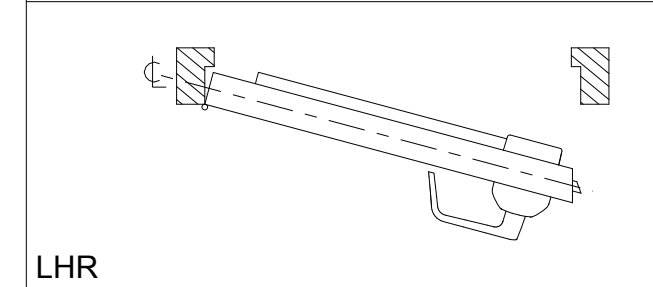


- NOTES:
- 1- FOR DIMENSIONS AND TOLERANCES REFER TO CORRESPONDING DOOR PREPARATION DRAWING IP#.
 - 2- FOR EXIT DEVICE AND MORTISE LOCK CUT-OUT REFER TO EXIT DEVICE MANUFACTURER INSTALLATION INSTRUCTIONS.
 - 3- BACKSET SHOWN FOR REFERENCE ONLY, ADJUST BACKSET TO EXIT DEVICE MANUFACTURER INSTALLATION INSTRUCTIONS.
 - 4- HOLES A: FROM THE INSIDE OF THE DOOR, DRILL HOLES (SEE TABLE)
 - 5- SYMBOLS: - ∇ DEEP
 - ⌀ CENTER LINE OF DOOR
 - ∅ DIAMETER
 - - NOT TO SCALE
 - 6- HOLES D: ONLY LOCK WITH MESSENGER OR BLUETOOTH. FOR COMPLETE HOLE PATTERN REFER TO DRAWING IP-515149/DT-515149 (RIM OR MORTISE LOCKS) OR IP-515150/DT-515150 (SURFACE MOUNT LOCKS).
 - 7- ALL DIMS INCHES [mm]

HOLE ID	DIM INCH/(mm)	∇ INCH/(mm)	COMMENTS
A	∅ 5/16 (7,95)	∇ 3/4 (19,05)	SEE NOTE #4
B	∅ 1/2 (12,7)	*	-
C	∅ 1 (25,4)	*	SEE NOTE #2
D	∅ 3/4 (19,05)	*	SEE NOTE #6

* UNLESS OTHERWISE NOTED, DRILL HALF DOOR THICKNESS ON BOTH SIDES.

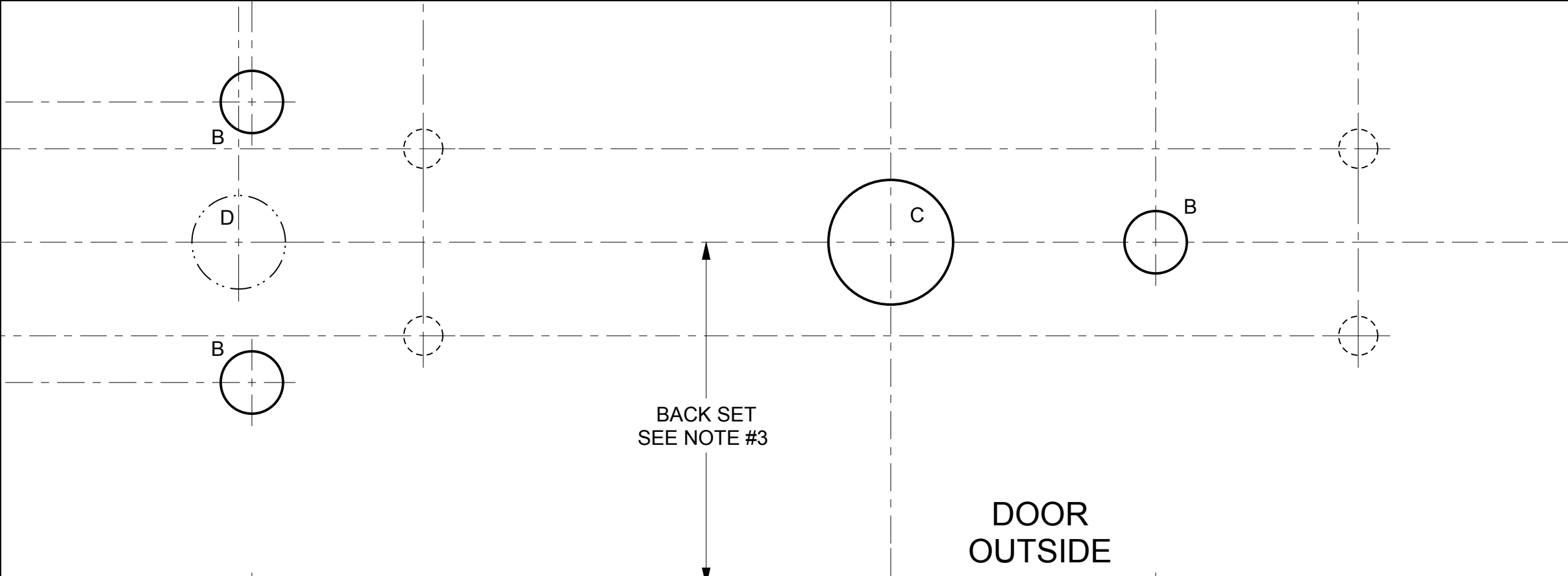


630, 730, 750, 79E, E-PLEX 2000 AND POWER-PLEX 2000 LOCK SERIES DRILLING TEMPLATE DORMA 9300/F9300/9400/F9400



www.kabalodgingsupport.com

SHEET 1 OF 2	DATE 16MR2016	UNE VERSION FRANCAISE DE CE DOCUMENT EST DISPONIBLE SUR DEMANDE.	REV-3
	ECN 15798	DT-513125	



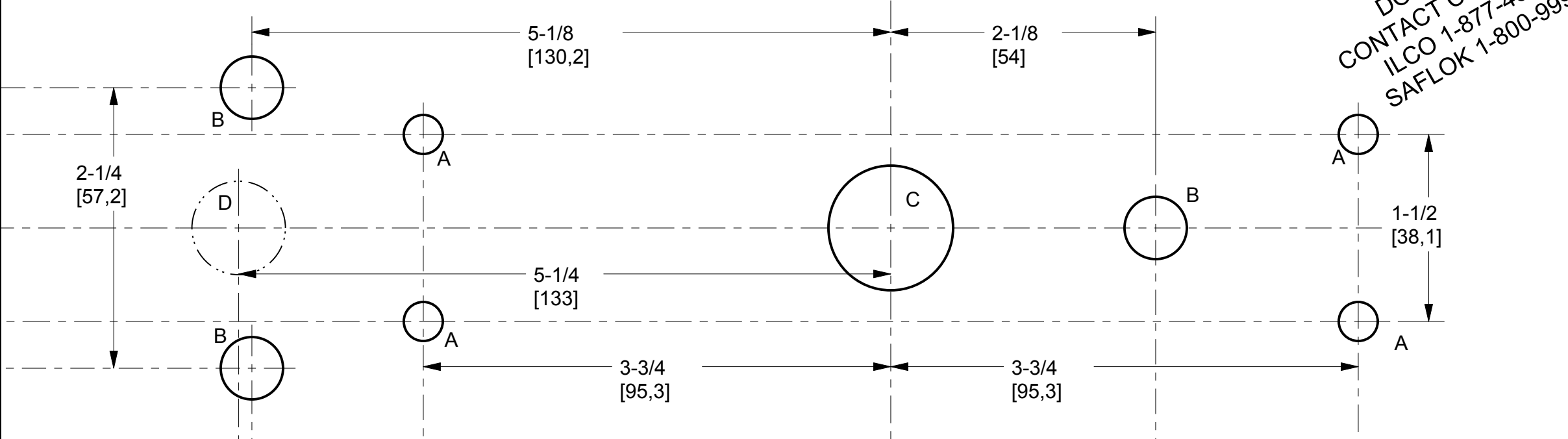
DOOR
OUTSIDE

RHR LOCK

DOOR
TOP

DOOR
BOTTOM

DOOR
INSIDE

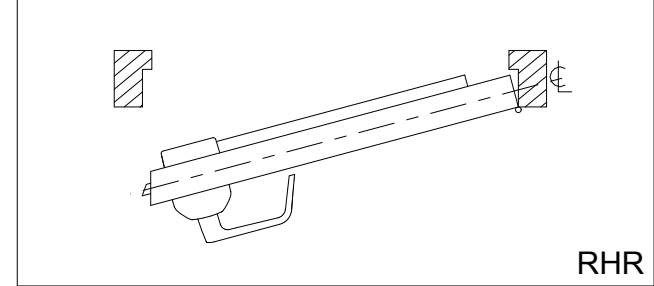
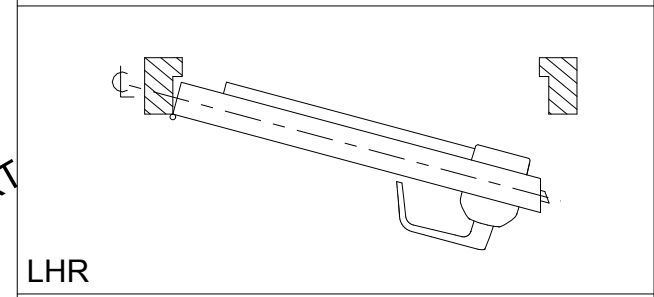


DO NOT REPRODUCE
CONTACT CUSTOMER SUPPORT
ILCO 1-877-468-3555
SAFLOK 1-800-999-6213

- NOTES:
- FOR DIMENSIONS AND TOLERANCES REFER TO CORRESPONDING DOOR PREPARATION DRAWING IP#.
 - FOR EXIT DEVICE AND MORTISE LOCK CUT-OUT REFER TO EXIT DEVICE MANUFACTURER INSTALLATION INSTRUCTIONS.
 - BACKSET SHOWN FOR REFERENCE ONLY, ADJUST BACKSET TO EXIT DEVICE MANUFACTURER INSTALLATION INSTRUCTIONS.
 - HOLES A: FROM THE INSIDE OF THE DOOR, DRILL HOLES (SEE TABLE)
 - SYMBOLS: - ▽ DEEP
 - ⌀ CENTER LINE OF DOOR
 - ∅ DIAMETER
 - NOT TO SCALE
 - HOLES D: ONLY LOCK WITH MESSENGER OR BLUETOOTH. FOR COMPLETE HOLE PATTERN REFER TO DRAWING IP-515149/DT-515149 (RIM OR MORTISE LOCKS) OR IP-515150/DT-515150 (SURFACE MOUNT LOCKS).
 - ALL DIMS INCHES [mm]

HOLE ID	DIM INCH/(mm)	▽ INCH/(mm)	COMMENTS
A	∅ 5/16 (7,95)	▽ 3/4 (19,05)	SEE NOTE #4
B	∅ 1/2 (12,7)	*	-
C	∅ 1 (25,4)	*	SEE NOTE #2
D	∅ 3/4 (19,05)	*	SEE NOTE #6

* UNLESS OTHERWISE NOTED, DRILL HALF DOOR THICKNESS ON BOTH SIDES.



630, 730, 750, 79E, E-PLEX 2000
AND POWER-PLEX 2000 LOCK SERIES
DRILLING TEMPLATE
DORMA 9300/F9300/9400/F9400



www.kabalodgingsupport.com

SHEET 2 OF 2	DATE 16MR2016	UNE VERSION FRANCAISE DE CE DOCUMENT EST DISPONIBLE SUR DEMANDE.	
	ECN 15798	DT-513125	REV-3